

# FLOOR STANDING SEPARATORS

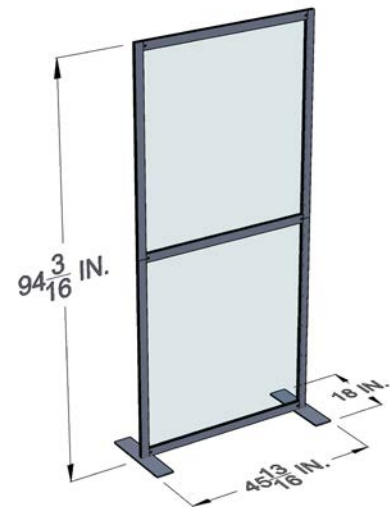
These full-frame separators allow for a larger barrier plane and stand alone on the steel, powder coated bases. These larger sizes are reinforced for added stability by having the plexiglass fully framed. They can easily be relocated for flexibility or stand in one space. Custom sizes and finishes are available. Options include either clear plexiglass for full transparency or fluted clear acrylic which creates privacy while allowing light to pass through. We can powder coat to practically any color.



## FULL FRAME TWO SECTIONS

.....  
CLEAR ACRYLIC  
.....

45-13/16" L X 18" D X 94-3/16" H



## FULL FRAME TWO SECTIONS

.....  
FLUTED PLEXI  
.....

45-13/16" L X 18" D X 94-3/16" H

