

# FLOOR STANDING SEPARATORS

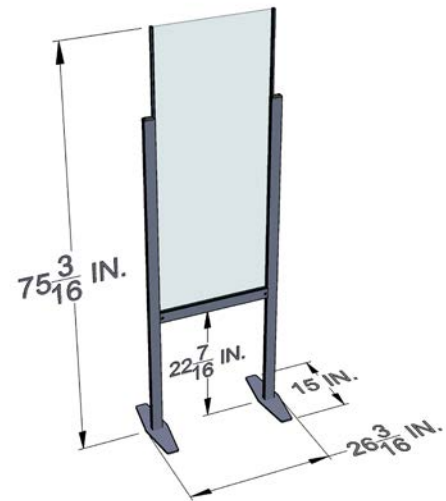
These separators allow for a larger barrier plane and stand alone on steel, powder coated bases. They can easily be relocated for flexibility or stand in one space. Custom sizes and finishes are available. We can powder coat to practically any color.



## FLOOR STANDING SEPARATOR 24 IN BLACK

.....  
CLEAR ACRYLIC  
.....

26-3/16" L X 15" D X 75-3/16" H



## FLOOR STANDING SEPARATOR 24

.....  
CLEAR ACRYLIC  
.....

26-3/16" L X 15" D X 75-3/16" H

