

TABLE SEPARATORS

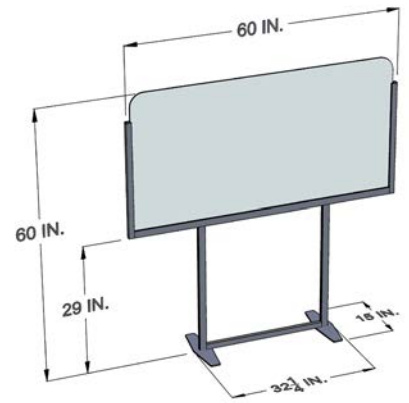
These separators can be placed in-between tables on one side while allowing staff to serve on the other. Options include floor standing units that can be easily placed and moved or a clamp-on version for simple attachment to table tops. Custom sizes and finishes are available.



NEW

FLOOR STANDING SINGLE PANE

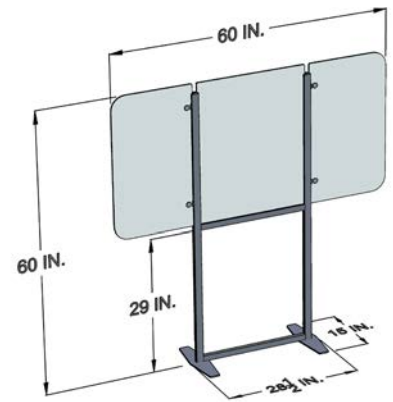
CLEAR ACRYLIC
60" L X 15" D X 60" H



NEW

FLOOR STANDING THREE PANE

CLEAR ACRYLIC
60" L X 15" D X 60" H



NEW

CLAMP-ON TABLE SEPARATOR

CLEAR ACRYLIC
60" L X 2-1/8" D X 30" H

**TWO DIFFERENT CLAMPS
ARE AVAILABLE**

